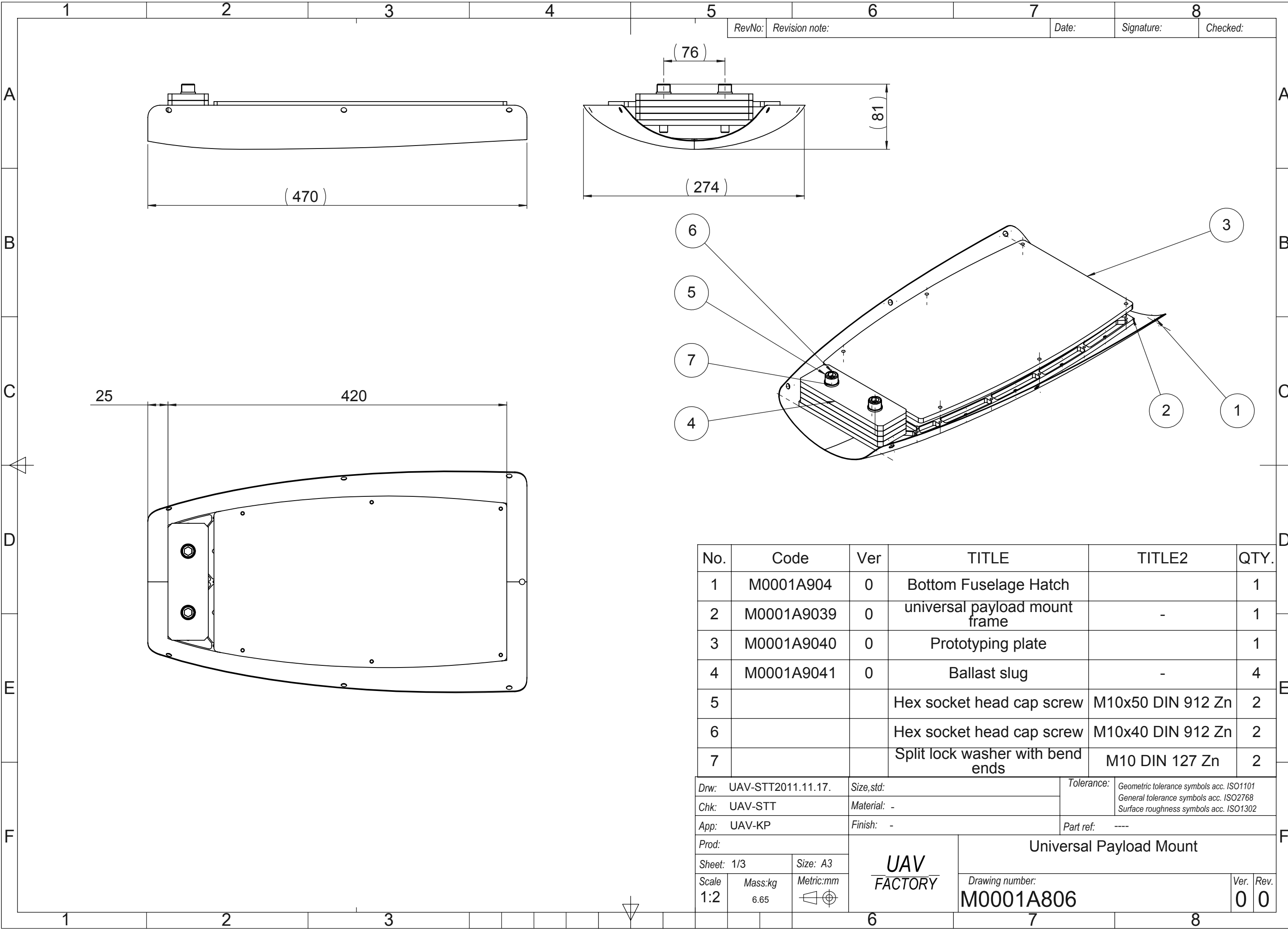


This document and its contents are the property of UAVFACTORY Ltd. and must not be copied, reproduced or disclosed to any third party without prior written permission. Contravention will be prosecuted.

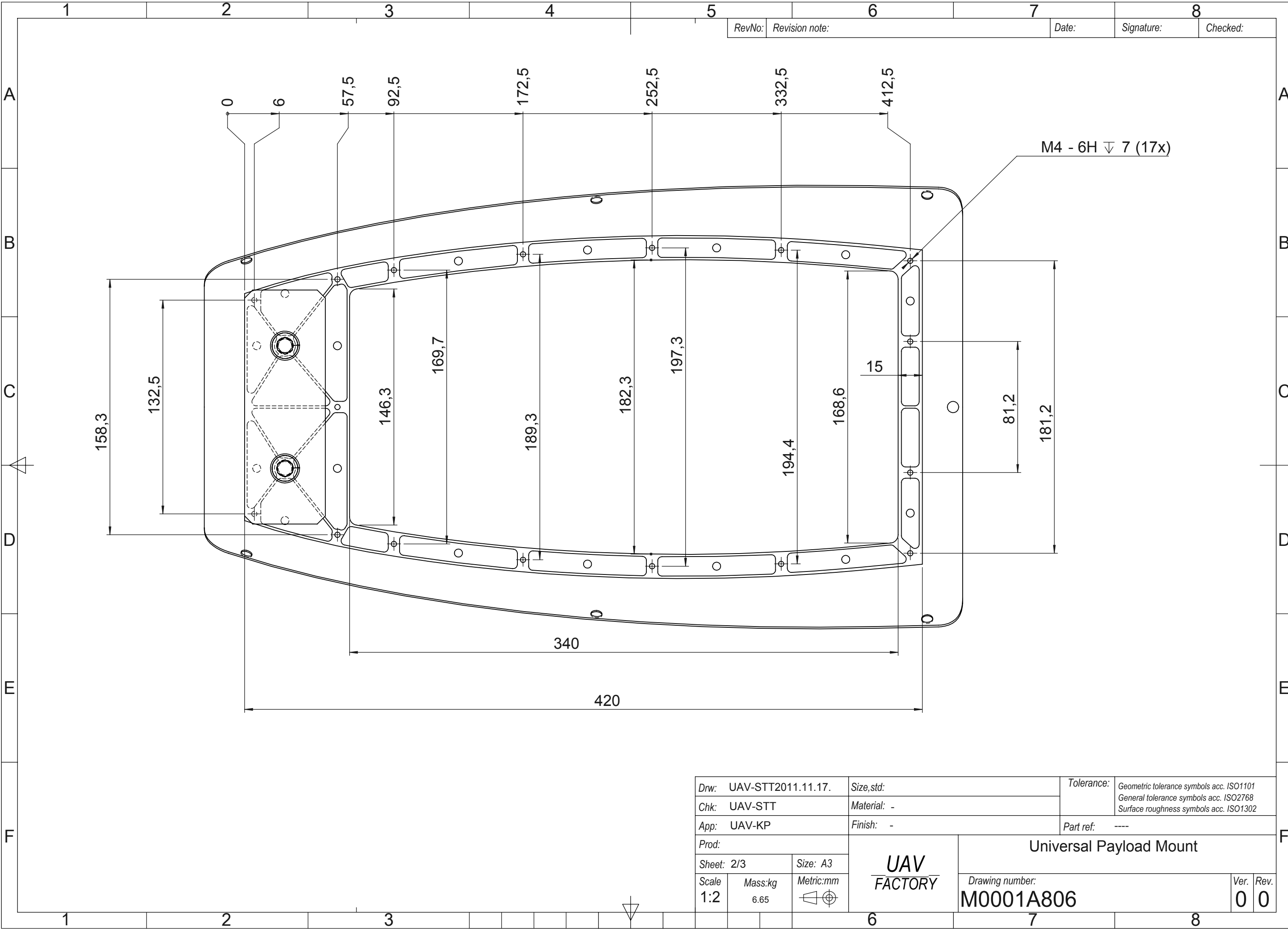


RevNo: Revision note: Date: Signature: Checked:

No.	Code	Ver	TITLE	TITLE2	QTY.
1	M0001A904	0	Bottom Fuselage Hatch		1
2	M0001A9039	0	universal payload mount frame	-	1
3	M0001A9040	0	Prototyping plate		1
4	M0001A9041	0	Ballast slug	-	4
5			Hex socket head cap screw	M10x50 DIN 912 Zn	2
6			Hex socket head cap screw	M10x40 DIN 912 Zn	2
7			Split lock washer with bend ends	M10 DIN 127 Zn	2

Drw: UAV-STT2011.11.17.		Size: std:		Tolerance: Geometric tolerance symbols acc. ISO1101	
Chk: UAV-STT		Material: -		General tolerance symbols acc. ISO2768	
App: UAV-KP		Finish: -		Surface roughness symbols acc. ISO1302	
Prod:		Part ref: ----			
Sheet: 1/3		Size: A3		<div style="text-align: center;">UAV FACTORY</div> Universal Payload Mount	
Scale 1:2	Mass:kg 6.65	Metric:mm			
				Ver. 0	Rev. 0

This document and its contents are the property of UAVFACTORY Ltd. and must not be copied, reproduced or disclosed to any third party without prior written permission. Contravention will be prosecuted.



Drw: UAV-STT2011.11.17.		Size: std:		Tolerance: Geometric tolerance symbols acc. ISO1101 General tolerance symbols acc. ISO2768 Surface roughness symbols acc. ISO1302	
Chk: UAV-STT		Material: -			
App: UAV-KP		Finish: -		Part ref: ----	
Prod:				Universal Payload Mount	
Sheet: 2/3	Size: A3				
Scale: 1:2	Mass: kg 6.65	Metric: mm 	Drawing number: M0001A806		Ver. 0
					Rev. 0