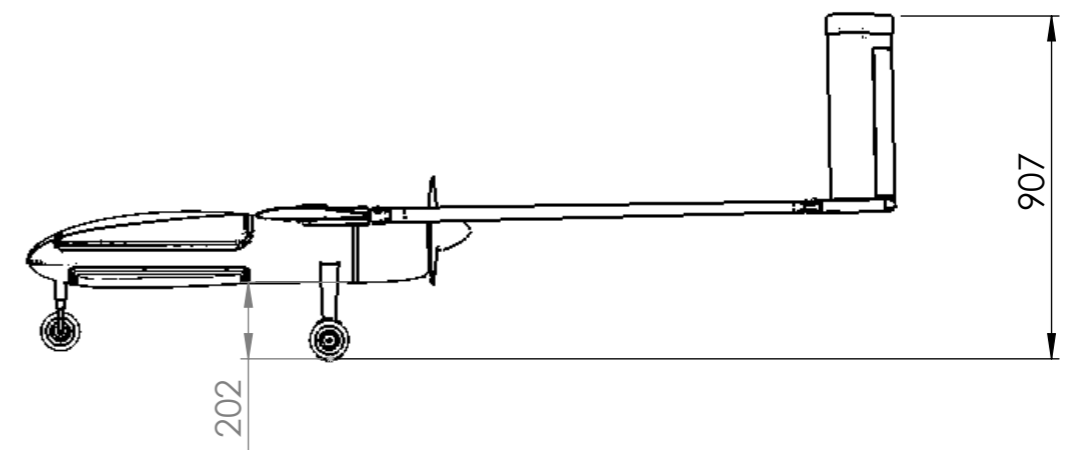
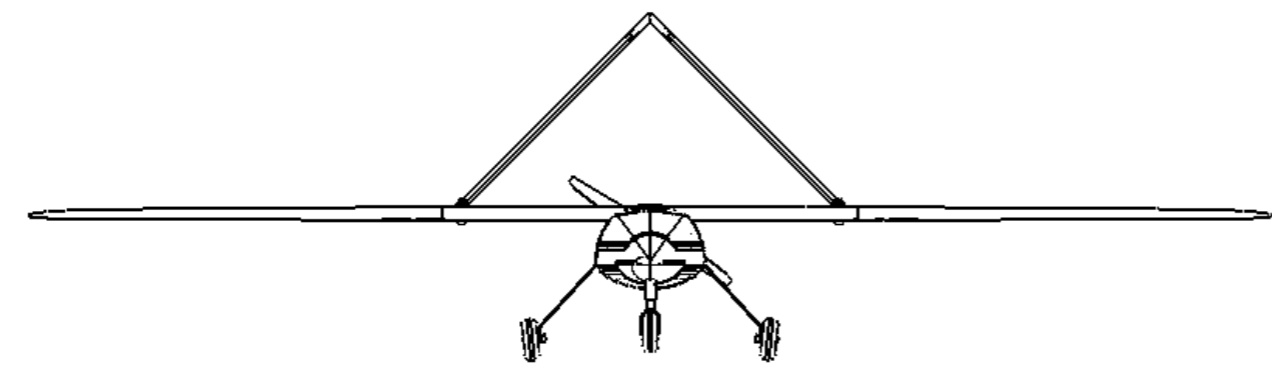
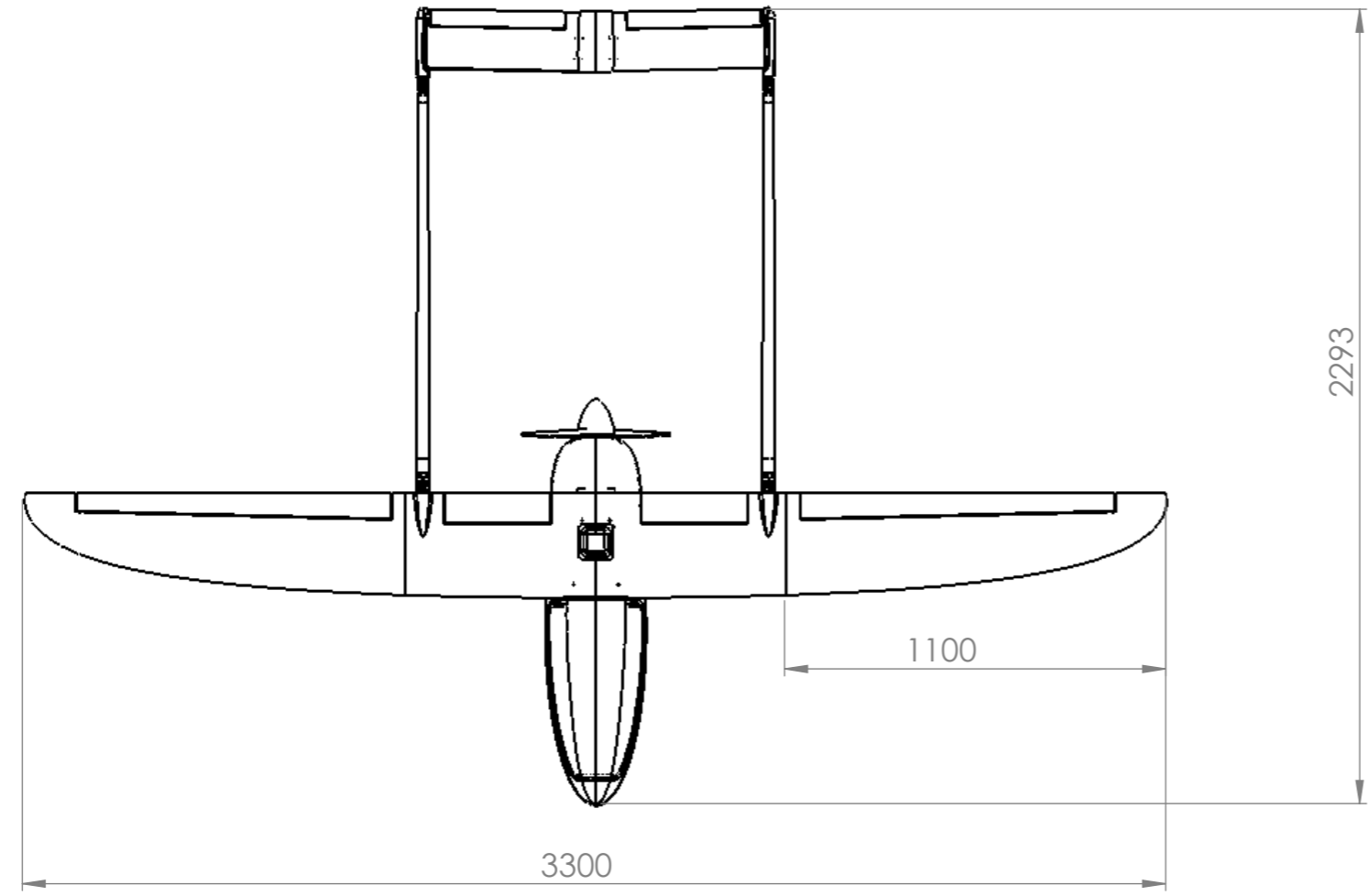


This document and its contents are the property of UAVFACTORY Ltd. and must not be copied, reproduced or disclosed to any third party without prior written permission. Contravention will be prosecuted.

1 2 3 4 5 6 7 8

RevNo: Revision note: Date: Signature: Checked:



Drw: 6/8/2010		Size: std:		Tolerance: Geometric tolerance symbols acc. ISO1101	
Chk:		Material:		General tolerance symbols acc. ISO2768	
App:		Finish:		Surface roughness symbols acc. ISO1302	
Prod:		Part ref:			
Sheet: 1/1	Size: A3	UAV FACTORY		Penguin B 3d view	
Scale 1:20	Metric: mm				
Mass: kg		All rights reserved. Copyright (C) 2002 UAVFACTORY Ltd.		Drawing number:	Ver. Rev.

1 2 3 4 5 6 7 8